



# Auric®

TECHNO SERVICES PVT. LTD.

## MECHANICAL SCREENS

### ARS & ARB

#### Fine Mechanical Screens

Mechanical Brush Screens with Perforated Holes (ARS) and Mechanical Arched Bar Screen with bars (ARB) bolted together with the frame so that it can be dismantled. Fixed frame with anchorage attachments to the civil works. Rotating cleaning arms on the shaft supported by bearings. On the top of every arm there is a comb which passes through the spacing among the screen bars or brush removes the material kept by the screen itself.

#### Salient Features:

- Screen completely mounted inside the channel.
- Screening element is perpendicular to the flow of water.
- MOC carbon steel powder coated/hot dip galvanized, stainless steel SS304 and 316.
- Two to Four rakes are included in the standard version.
- Spacing - ARB - Bar - 12mm to 60mm.
- Opening - ARS - Hole - 3mm to 10mm.
- Capacity upto - 450 m<sup>3</sup>/hr.



Our other products





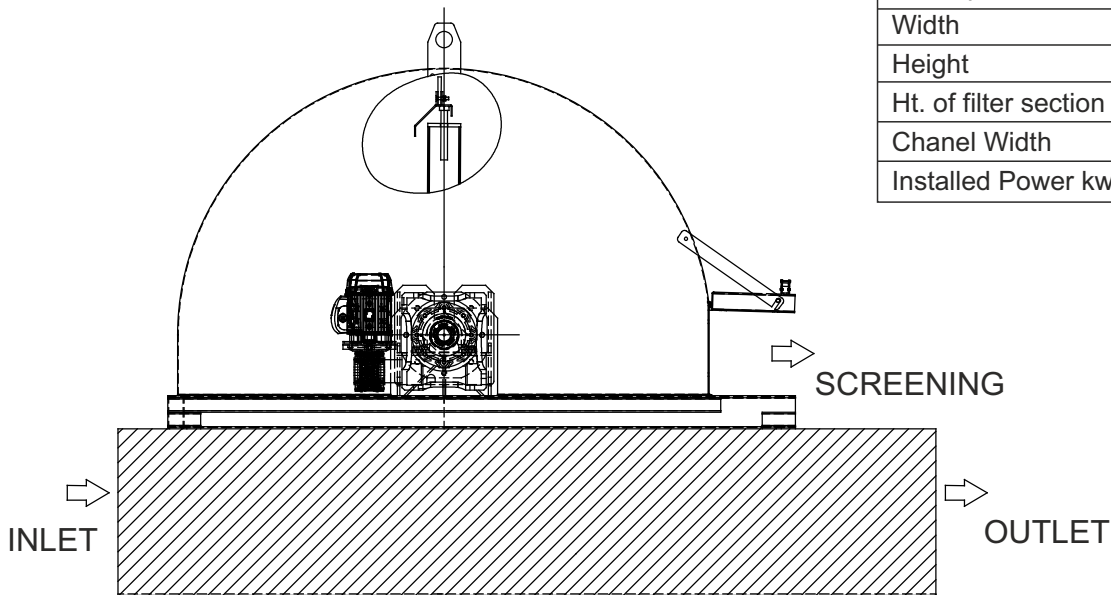
# Auric®

TECHNO SERVICES PVT. LTD.

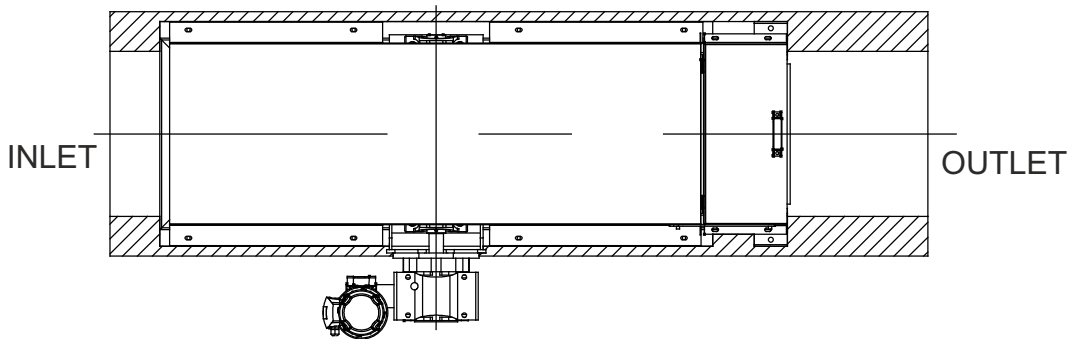
## MECHANICAL SCREENS

### ARS & ARB

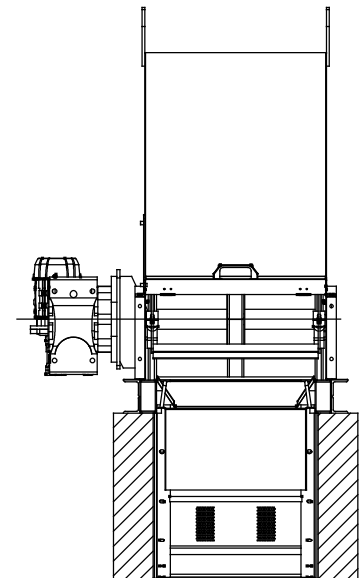
Description	Particulars	
Width	300-1000	
Height	500-1000	
Ht. of filter section mm	as per water level	
Chanel Width	300-600	800-1000
Installed Power kw	0.37	0.55



FRONT VIEW



TOP VIEW



(RH) SIDE VIEW

Our other products

