



Auric®

TECHNO SERVICES PVT. LTD.

MECHANICAL SCREENS

HDS

Half Drum Rotary Separator

A Rotary Brush Separator, HDS is a fine screen with cleaning rotating brushes.

Salient features:

- Perfect for pre screening of MBR feed, in order to have to protect the membrane from scouring/ damage due to solids in feed
- Perforated semi circular screening element.
- Multiple rotating nylon / PP cleaning brushes.
- MOC carbon steel powder coated, stainless steel 304/304L/316/316L.
- Hole openings 1, 2, 3 and 5 mm.
- Suitable for MBR.
- Piped inlet.
- Continuous operation.



Our other products





Auric[®]

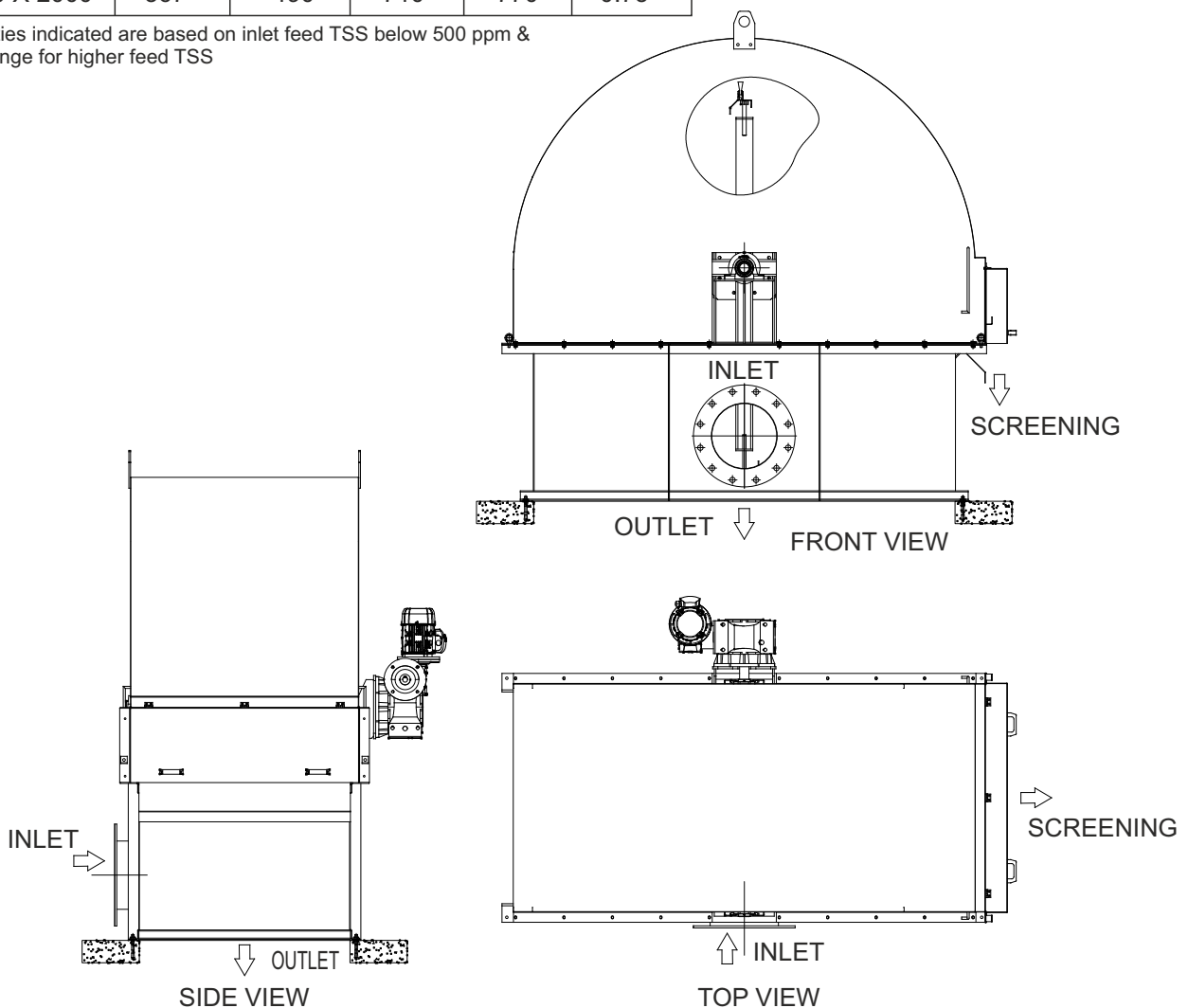
TECHNO SERVICES PVT. LTD.

MECHANICAL SCREENS

HDS

Model	Flow Rate (m ³ /hr) Hole Opening				Power KW
	1mm	2mm	3mm	5mm	
HDS 300 x 800	27	36	52	57	0.37
HDS 500 X 1200	54	72	100	110	0.37
HDS 1000 X 1200	112	150	220	240	0.37
HDS 1000 X 2000	172	230	340	370	0.55
HDS 2000 X 2000	367	490	710	770	0.75

Note:-Capacities indicated are based on inlet feed TSS below 500 ppm & will change for higher feed TSS



Our other products

