



Auric®

TECHNO SERVICES PVT. LTD.

MECHANICAL SCREENS

MRS-B

Multi - Rake Coarse Bar Screen

The MRS-B is a mechanical coarse bar screen with multiple cleaning rakes for filtration of waste water.

Salient Features:

- The drive steel shaft is assembled on a spherical centre bearing, equipped with chain tensioning system.
- Dynamometric torque limit device.
- Stainless steel toothed cleaning rakes.
- Special device for reversal of rake's motion.
- Special chain guide, no bottom sprocket required.
- Suitable for use in automatic operation.
- Bar spacing available from 12 mm to 60 mm.
- Installation in Channel width from 400 mm upto 2000 mm and 10 m deep
- MOC carbon steel powder coated, stainless steel 304 / 304L / 316 / 316L.
- Specially designed profiled bars.
- Inclination 75°
- Multiple cleaning rakes.
- Special mounting arrangement, does not require screen to be anchored to channel or walls.

Applications:

- Municipal waste water treatment plants.
- Industrial waste water treatment plants such as Paper mill, Slaughterhouses, Food industry, Textile industry, Tanneries, Chemical industry.

* Manual Bar Screen Available on request



Our other products





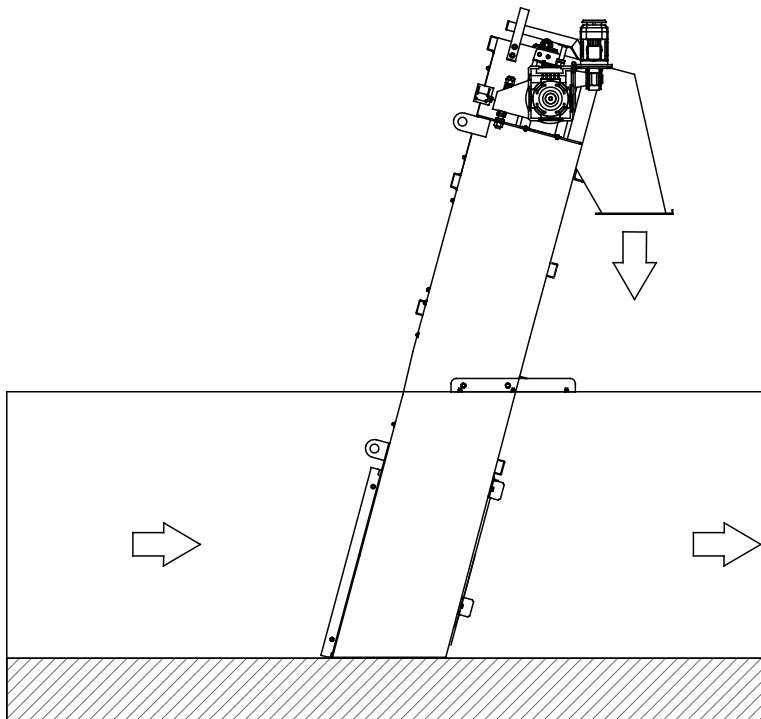
Auric®

TECHNO SERVICES PVT. LTD.

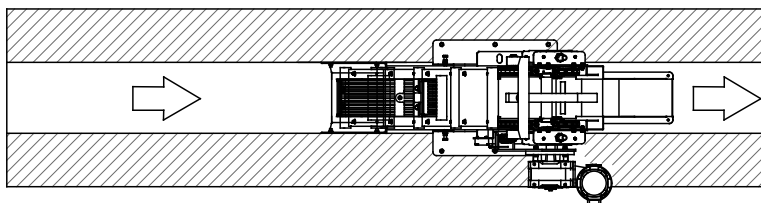
MECHANICAL SCREENS

MRS-B

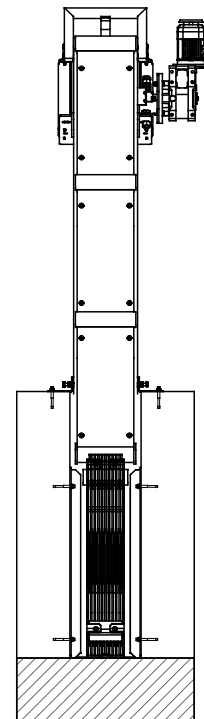
Description	Particulars		
Channel width mm	400-2000		
Channel Height mm	upto 10000		
Height of filter section mm	as per water level		
Bar spacing mm	from 12 to 60		
Channel width mm	400-800	800-1600	1600-2000
Installed Power kW	0.75	1.1	1.5



FRONT VIEW



TOP VIEW



SIDE VIEW

Our other products

