



# Auric®

TECHNO SERVICES PVT. LTD.

## MECHANICAL SCREENS

### MRS-F

#### Multi Rake Fine Bar Screen

The MRS-F is a mechanical fine bar screen with cleaning rakes for filtration of waste water.

##### Salient Features:

- The drive steel shaft is assembled on spherical centre bearing, equipped with chain tensioning system.
- Dynamometric torque limit device.
- Stainless steel toothed cleaning rakes.
- Special device for reversal of rake's motion.
- Suitable for use in automatic operation.
- Spacing available from 6mm to 10 mm.
- Installation in Channel width from 400 mm upto 2000 mm and 10 m deep.
- MOC carbon steel powder coated, stainless steel 304/304L/316/316L
- Specially designed profiled bars.
- Ease of operation.
- Inclination 75°
- Multiple cleaning rakes.
- Special mounting arrangement, does not require screen to be anchored to channel or walls.

##### Applications:

- Municipal waste water treatment plants.
- Industrial waste water treatment plants such as Paper mill, Slaughterhouses, Food industry, Textile industry, Tanneries, Chemical industry.

\* Manual Bar Screen Available on request



Our other products





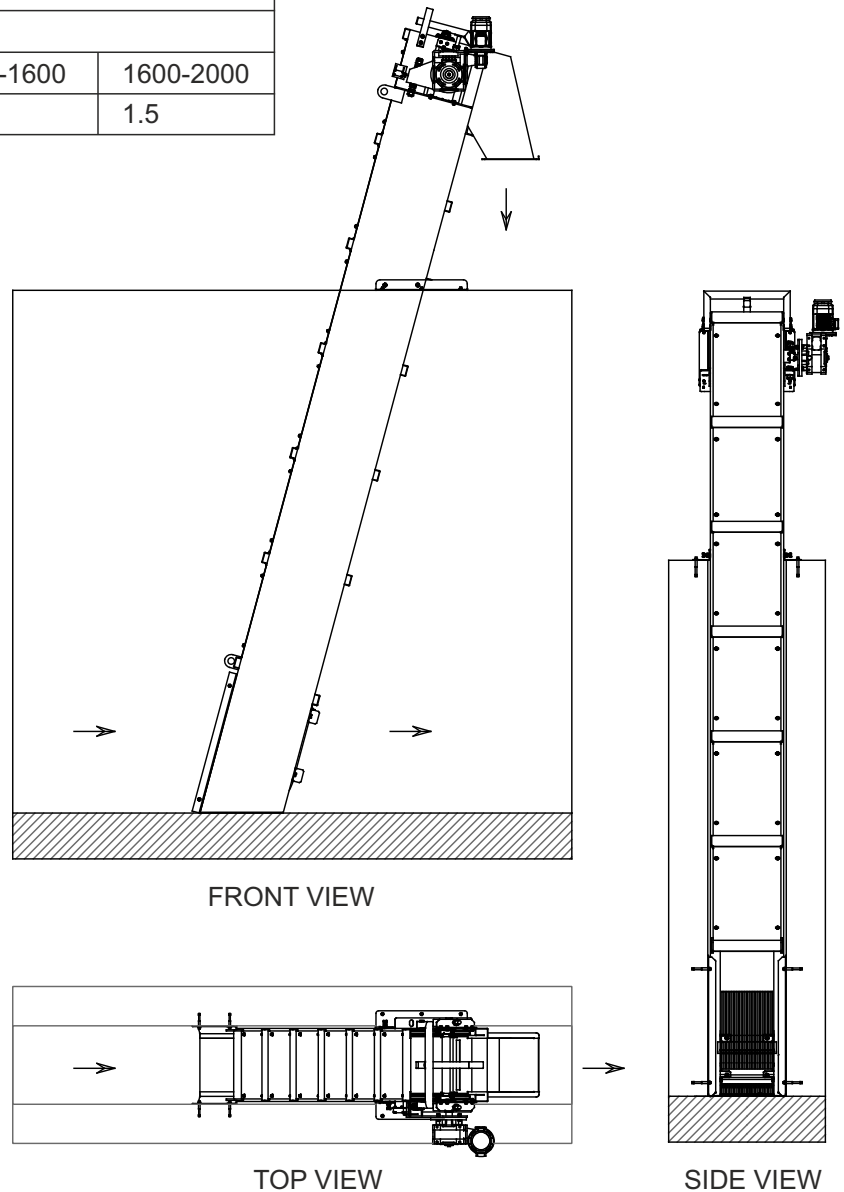
# Auric®

TECHNO SERVICES PVT. LTD.

## MECHANICAL SCREENS

### MRS-F

Description	Particulars		
Channel width mm	400-2000		
Channel Height mm	upto 10000		
Height of filter section mm	as per water level		
Bar spacing mm	6/8/10		
Channel width mm	400-800	800-1600	1600-2000
Installed Power kW	0.75	1.1	1.5



Our other products

