



Auric®

TECHNO SERVICES PVT. LTD.

MECHANICAL SCREENS

RDS-S

Rotary Drum Fine Screen

The internally fed rotary fine screen is composed of a tank and a spiral connected to the drum for the transport of screening. The screen is composed of a perforated plate whose holes diameter is as big as the desired opening size. The drum is supported by suitable shaft, and is operated by a geared motor.

Salient Features:

- Perfect for screening of MBR feed, to protect the membrane from scouring / damage due to solids in feed
- Perforated Circular screening drum
- MOC carbon steel powder coated, stainless steel 304/304L/316/316L.
- Continuous Operation
- Backwash arrangement for perforated screen washing
- Suitable for line installation
- Suitable for separation of soft solids from waste water, such as food waste/ canteen /hotel waste etc.
- Hole opening: 1, 2, 3 and 5 mm.
- Piped inlet.



Our other products





Auric®

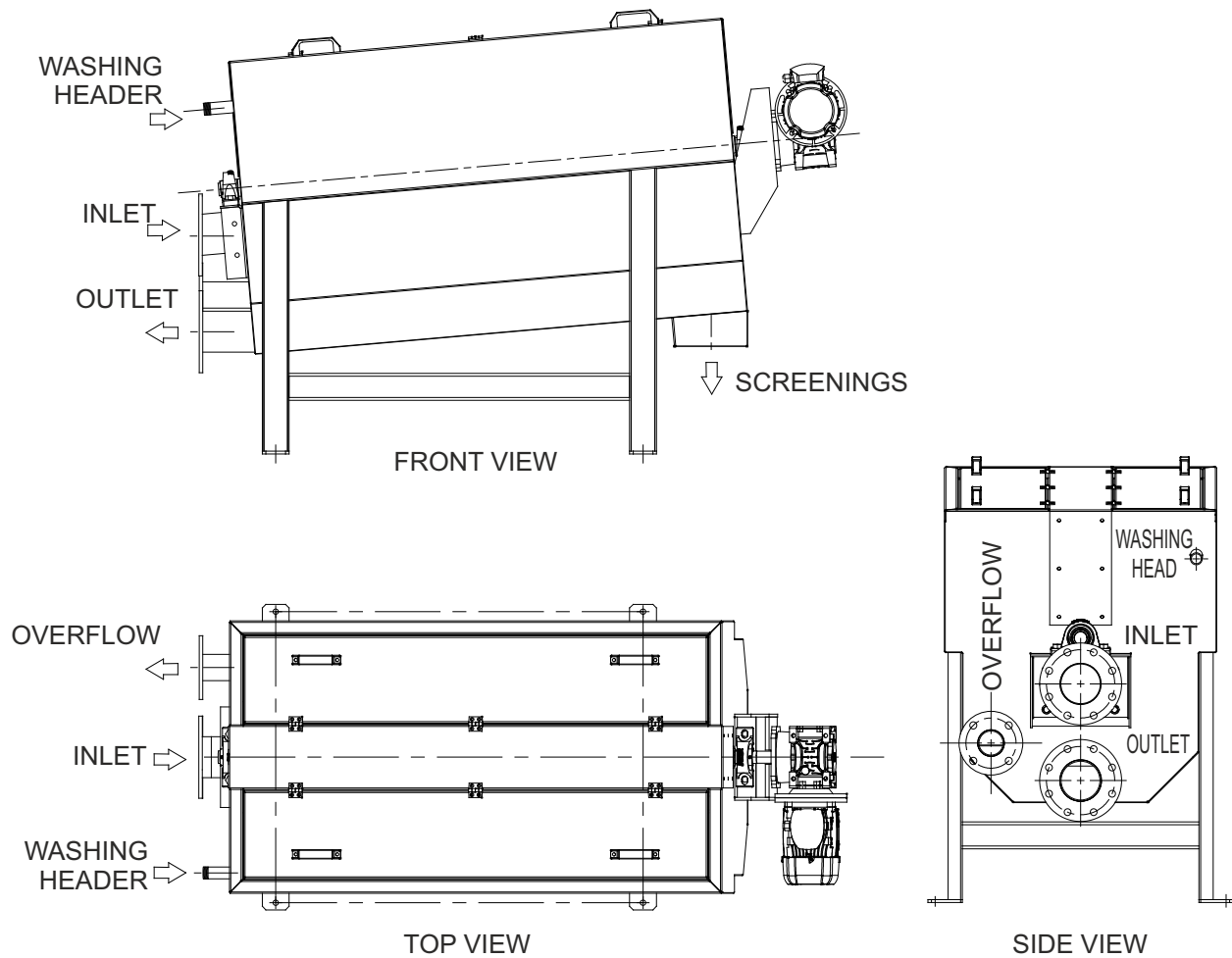
TECHNO SERVICES PVT. LTD.

MECHANICAL SCREENS

RDS-S

Model	Flow Rate (m ³ /hr)				Power(kW)
	1mm	2mm	3mm	5mm	
RDS-S 300 X 500	7	10	12	15	0.25
RDS-S 500 X 1000	22	30	45	60	0.37
RDS-S 640 X 1000	45	60	75	90	0.75
RDS-S 640 X 2000	56	75	90	110	0.75

Note:-Capacities indicated are based on inlet feed TSS below 500 ppm & will change for higher feed TSS



Our other products

