



# Auric®

TECHNO SERVICES PVT. LTD.

## MECHANICAL SCREENS

### RDS

### Rotary Drum Fine Screen

The internally fed rotary drum fine screen is basically composed of an outer casing and a shaftless screening drum with internal screw flights for the transport of the screenings.

The drum is composed of a perforated plate which is available in a wide range of hole openings as per the requirement. The drum is supported by rollers and driven by a gear and pinion operated by a geared motor.

#### Salient Features:

- Perfect for screening feed to MBR, thereby reducing the scouring/ damage of the membranes by solids.
- Perforated Circular screening drum.
- MOC carbon steel powder coated, stainless steel 304/304L/316/316L.
- Continuous Operation.
- Backwash arrangement for perforated screen washing.
- Suitable for line installation
- Suitable for separation of soft solids from liquids, such as food waste/ canteen /hotel waste etc
- Hole opening 1,2,3,5 mm



Our other products





# Auric®

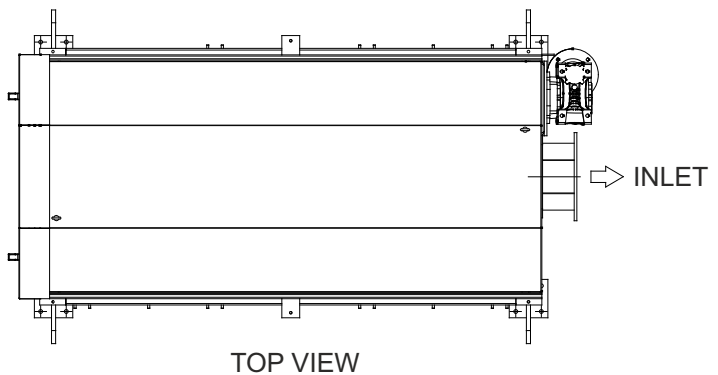
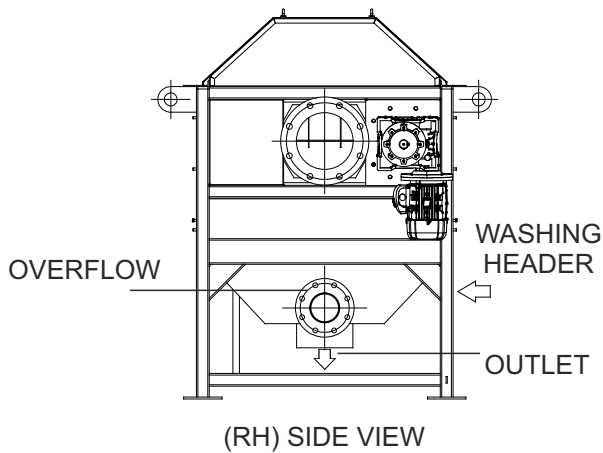
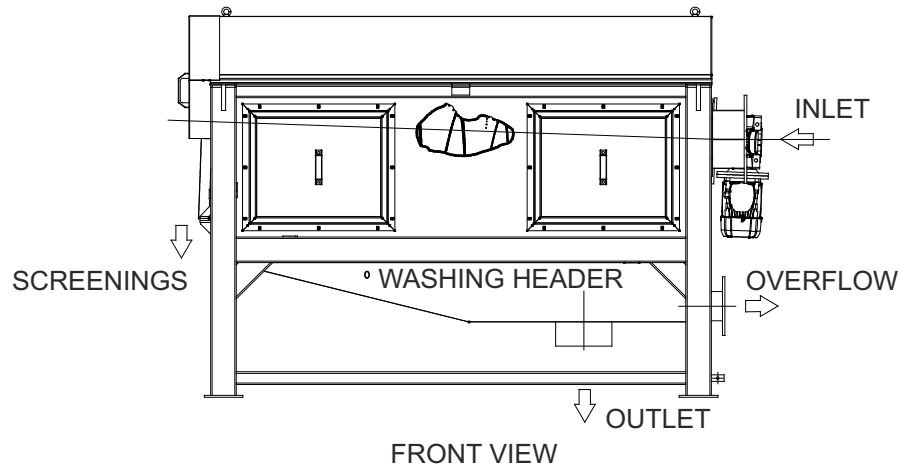
TECHNO SERVICES PVT. LTD.

## MECHANICAL SCREENS

### RDS

Model	Flow Rate (m <sup>3</sup> /hr)				Power(kW)
	1mm	2mm	3mm	5mm	
RDS 700 X 1500	157	210	300	320	0.75
RDS 700 X 2000	165	220	320	430	0.75
RDS 900 X 2000	232	310	450	490	1.1
RDS 1200 X 2000	292	390	560	610	1.5
RDS 1200 X 2500	367	490	700	760	1.5
RDS 1500 X 3000	437	680	980	1070	2.2

Note:-Capacities indicated are based on inlet feed TSS below 500 ppm & will change for higher feed TSS



Our other products

